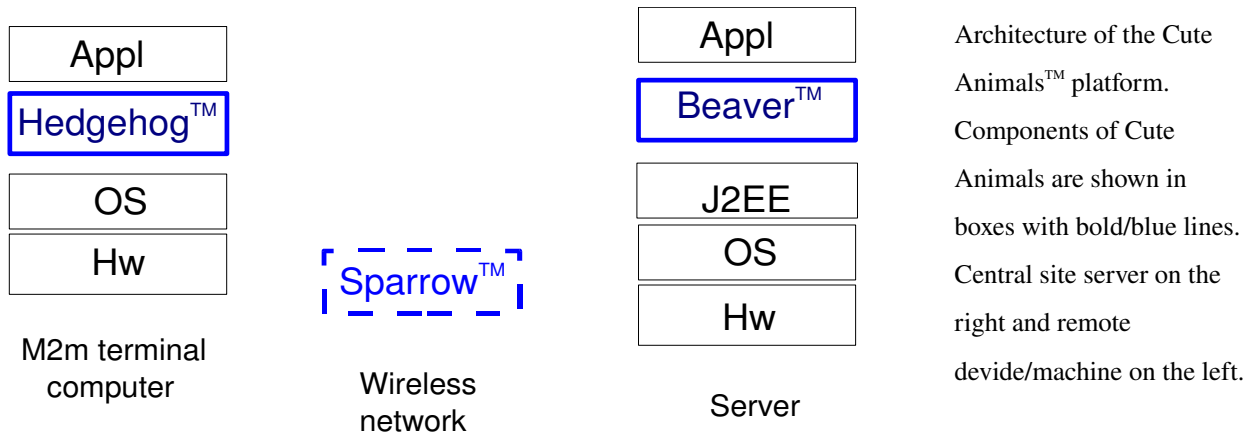


## Cute Animals™ Remote Monitoring System Platform



## Generic Remote Monitoring Application Software Platform

Cute Animals™ is a fully fledged m2m (\*) service/product platform for professional use. Cute Animals™ is used as a backbone for Oliotalo Oy's m2m products as well as customized solutions. Developed during several years, Cute Animals™ encapsulates over 50 man years of m2m knowledge and knowhow. It is the platform for end-to-end m2m solutions.

## Features of Cute Animals™

- Generic m2m application platform for both horizontal and customer specific purposes
- Rapid application development for any industry segment
- Platform for a new m2m application to effectively connect remote machines/devices to corporate servers and IT systems
- Carrier independent wireless communication
- Simultaneous communication on different wireless technologies
- Hiding of complexity of the wireless infrastructure from applications on both terminal and server side
- Well-tested and proven in many industrial applications in systems with strict requirements

# Cute Animals™ Components

## ***Beaver™ – Server platform***

Beaver™ is the m2m server platform of Cute Animals™, build with J2EE, and designed to run under any application server. The structure is extremely modular and provides high performance, reliability and durability.

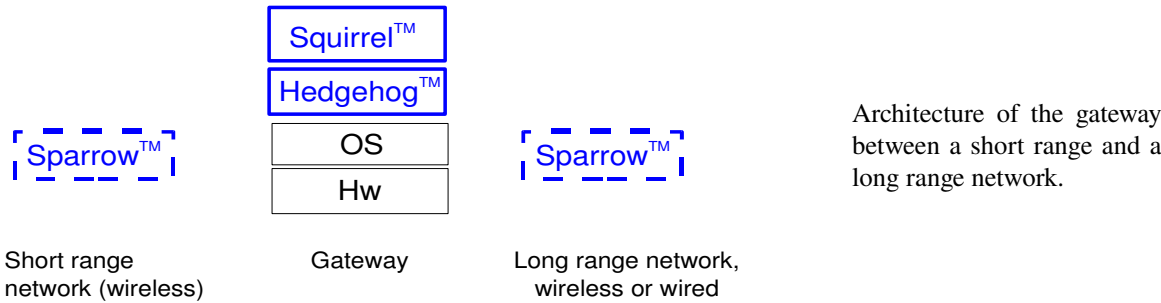
## ***Sparrow™ – Airway protocol***

Sparrow™ is the dynamic airway protocol of Cute Animals™. It has an expandable and extensible structure and it's able to encapsulate any content protocol. The Sparrow™ protocol is dynamically defined with Protocol Definition Language - changing it is a matter of definition, not programming. Sparrow also fits to any carrier and is logically optimized for the most difficult ones: the unreliable inefficient and nondeterministic wireless carriers.

## ***Hedgehog™ – Embedded in an m2m terminal***

Hedgehog™ is our embedded terminal software, with very small memory footprint. It makes embedded devices plug-and-play-ready for the Beaver™ server.

## ***Squirrel™ – Gateway between short and long range networks***



Squirrel™ is the relay-station software of Cute Animals™. Squirrel™ is used to bind local short range wireless communication links, such as Bluetooth or WLAN to a global m2m network, either with a wireless or wired link.

(\* m2m stands for Machine-to-Machine, a commonly used expression for (usually wireless) communication between machines, devices, etc..

Cute Animals™, Beaver™, Hedgehog™, and Squirrel™ are trademarks of Oliotalo Oy.